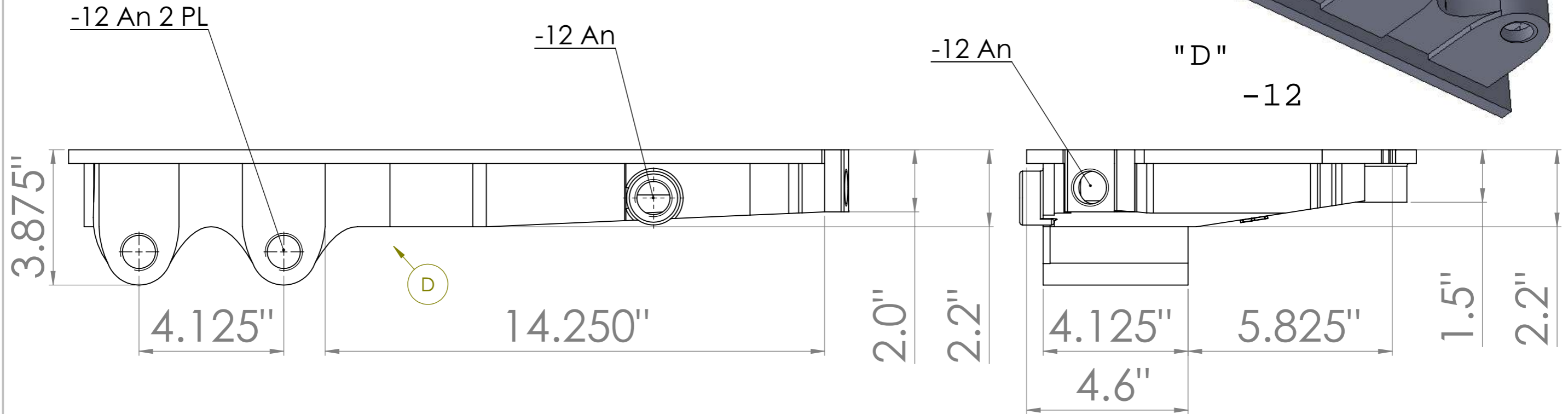
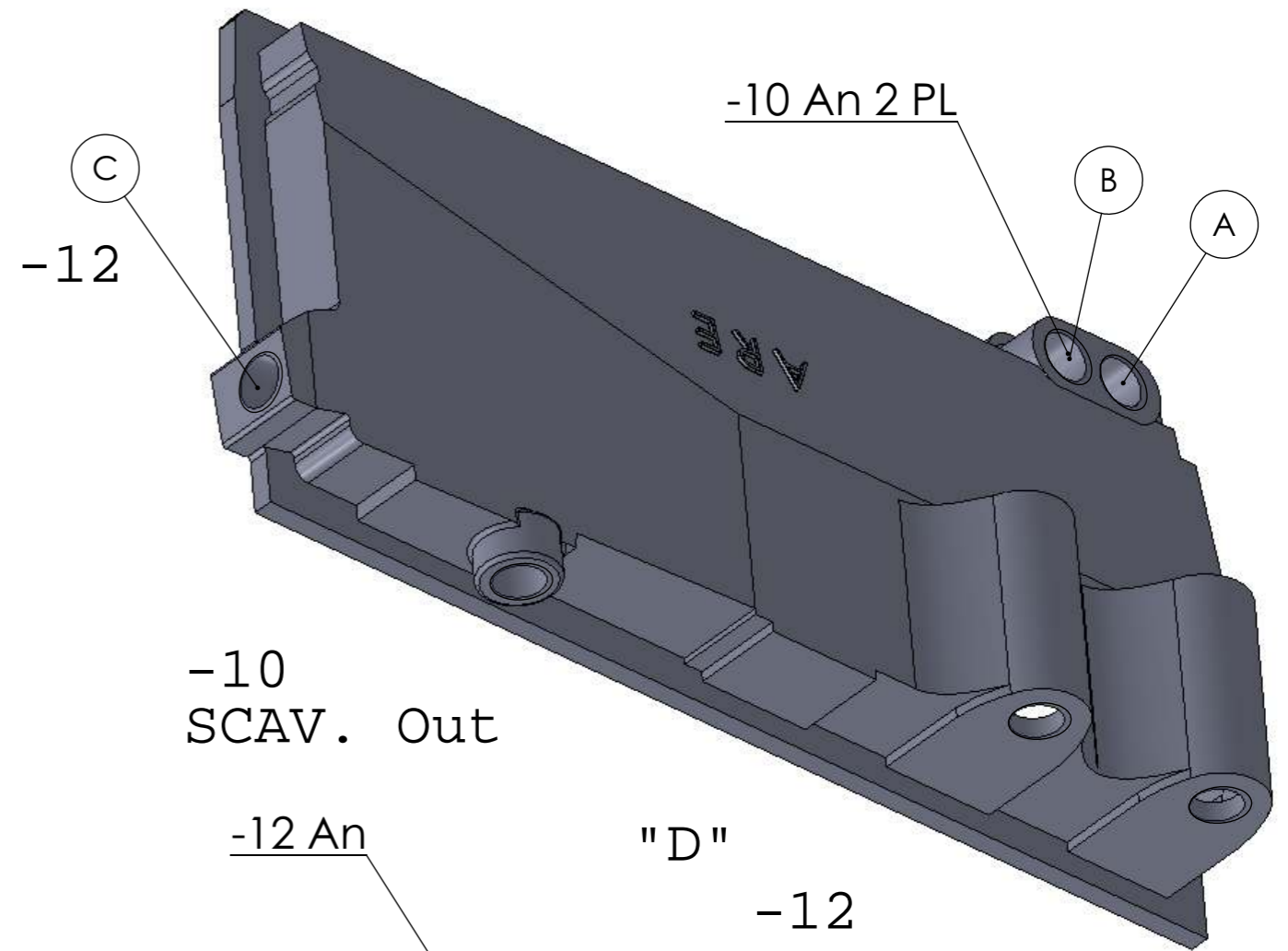


- A) Pressure Inlet
- B) Stage 1 Pressure Out
Stage 3 - Plugged
- C) Stage 1 pump Supply
- D) Outlet removed for crossmember
early Camaro/Firebird etc.



PART #	# 1005MCF
COMPANY:	A R E DRYSUMP
	WWW.DRYSUMP.COM
TITLE:	Oilpan LS Camaro 68
SCALE:1:3	SHEET 1 OF 1