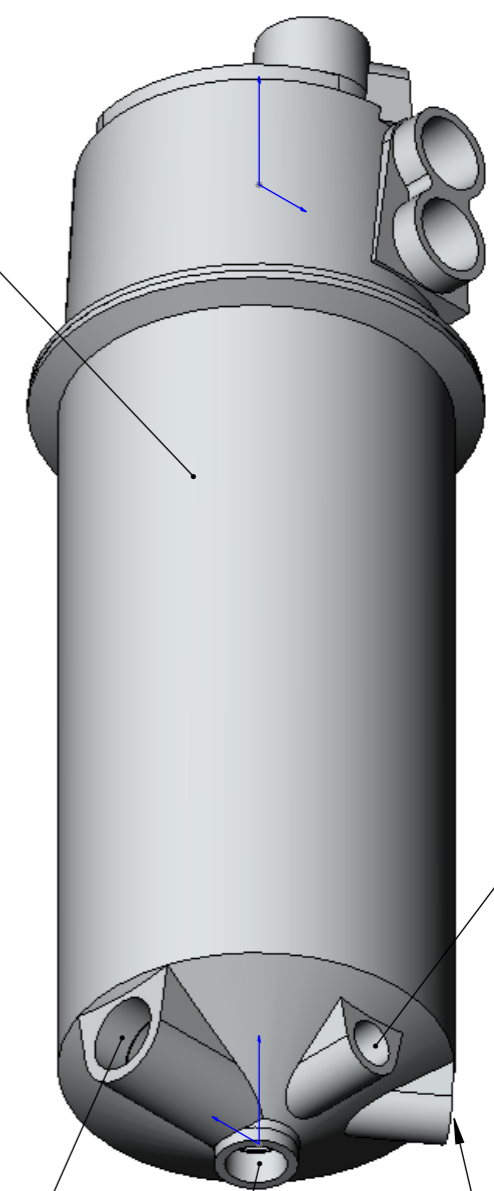


Ø 7.13

Aerospace alloy
356AT-6, 4th Axis CNC
machined top
and bottom!

.062 wall
6061T6
seamless tube



12 mm
Temp.
sender
boss

1/2 NPT
Heater
boss

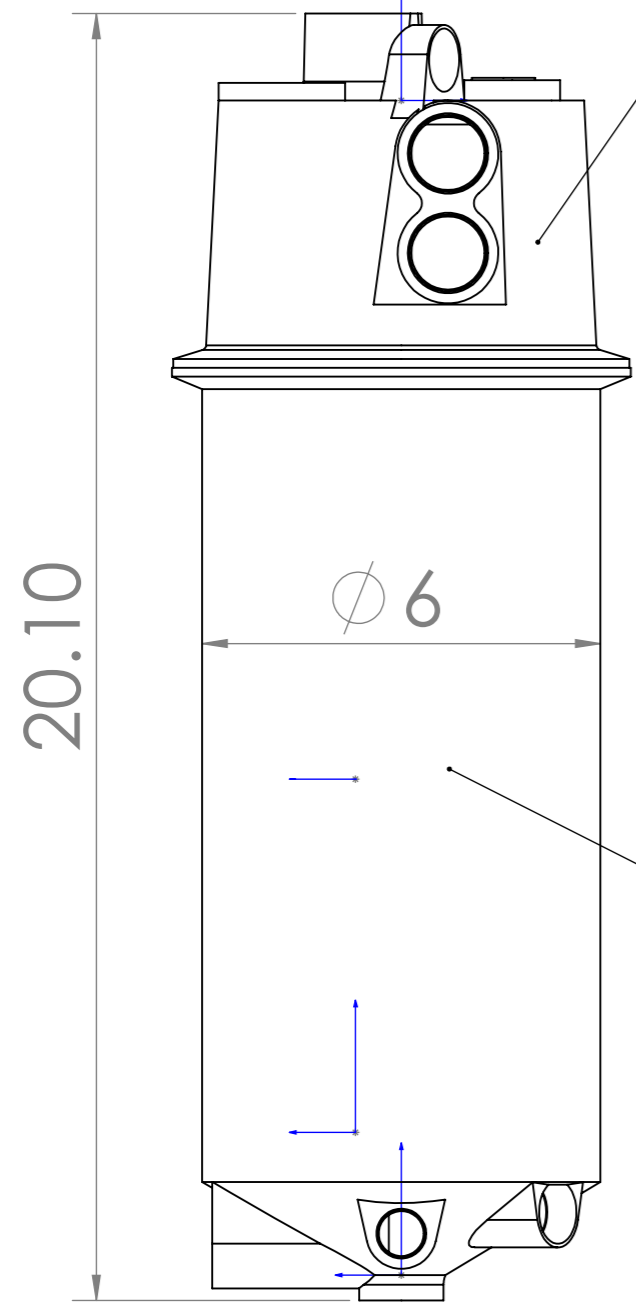
Optional -6

Vent to
engine

1/4 20 Tank
mount boss
(Z06)

Filler
Oil level
check cap

Spintric air
relief in



20.10

Ø 6

-12 Scavenge
return

-12 Oil supply

New 7007-A
Tanks available
in any height!

-10 Oil drain

Part #	#7007-A	
TITLE:	A R E DRYSUMP WWW.DRYSUMP.COM	
DWG NO.	Assembly Cast tank	A3
SCALE:1:5	SHEET 1 OF 1	