

Engine Vent /
Spintric

Air Relief IN
-12

Fill

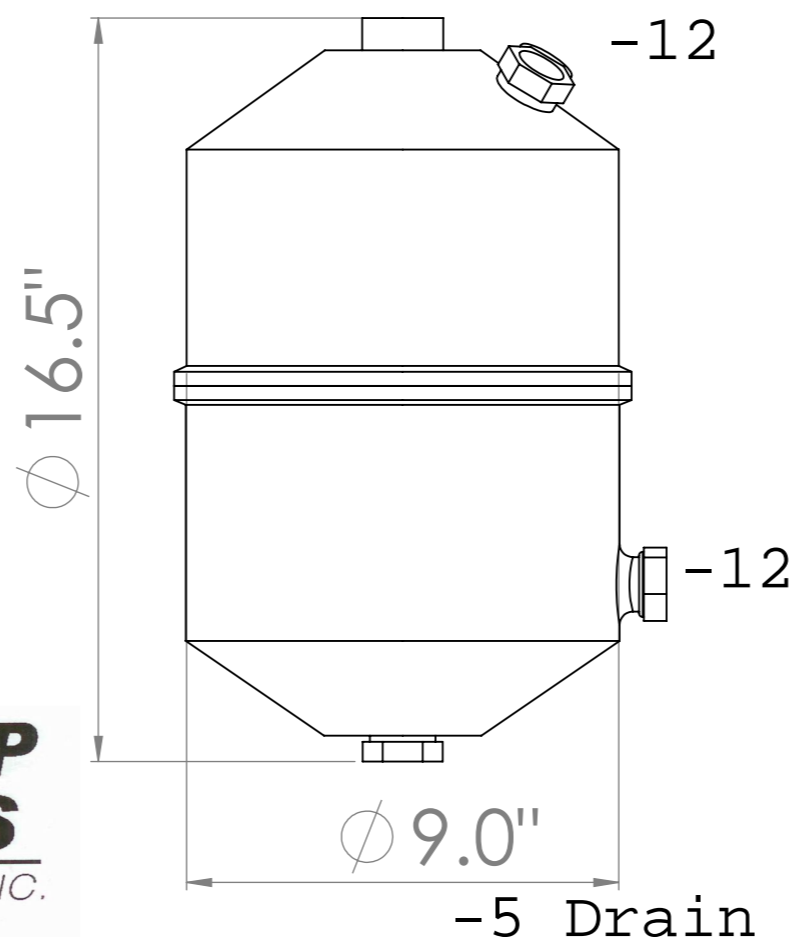
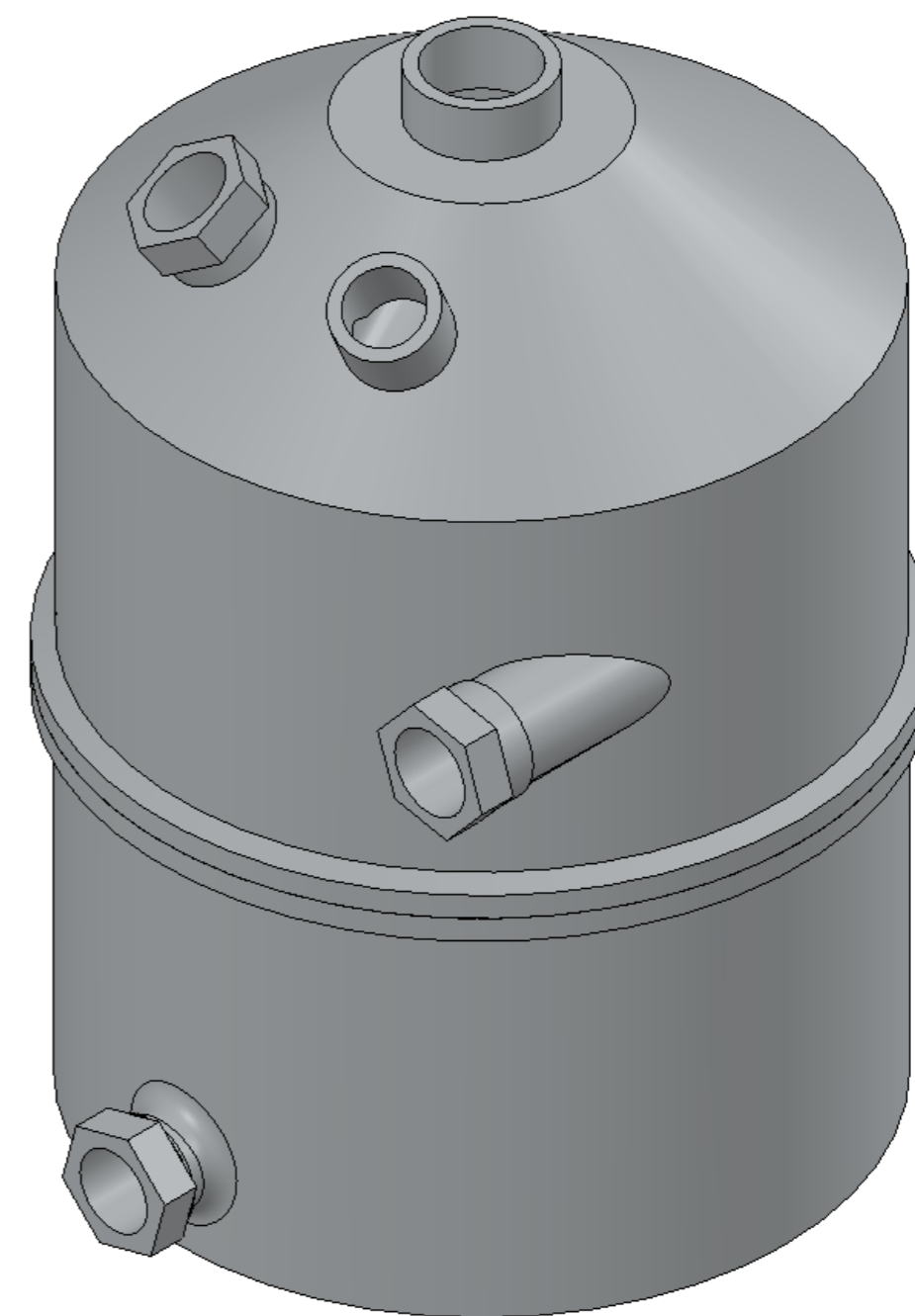
To Vent can
-10

Top Baffel
& Oil Level
-Running

Scavenge
Return
-12

Oil Supply

Drain



© **ARE DRY SUMP SYSTEMS**
ARMSTRONG RACE ENGINEERING INC.
WWW.DRYSUMP.COM

PART #	# 7030	
COMPANY:	A R E DRYSUMP	
	WWW.DRYSUMP.COM	
TITLE:	3 Gallon Tank	A3
	SCALE:1:5	SHEET 1 OF 1